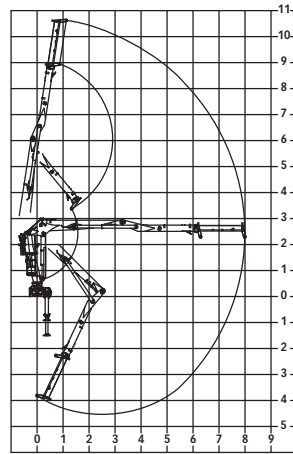


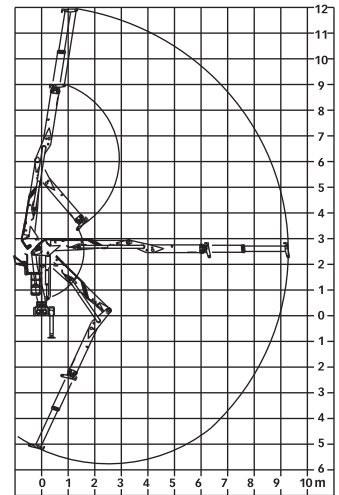
Hiab Loglift 165Z



F165Z80

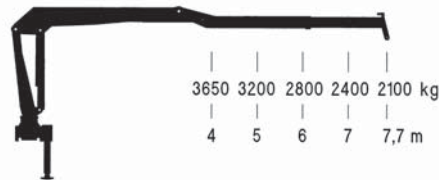


F165ZT93

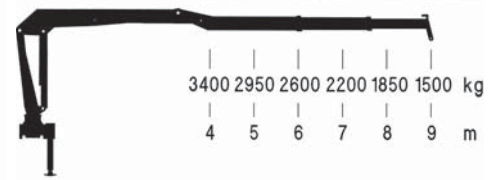


The Hiab Loglift 165Z is a long-time favourite of the Z-model series. Its trump feature is its clear and easy-to-maintain structure that has been proven in the field. The narrow first boom allows excellent visibility over the entire loading area. Also, as there are only a few wearing parts, the crane endures and retains its value over time. The F165Z is suited for loading both long and short timber.

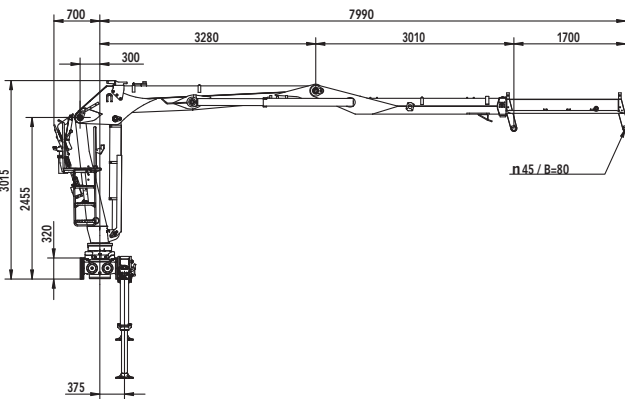
F165Z80



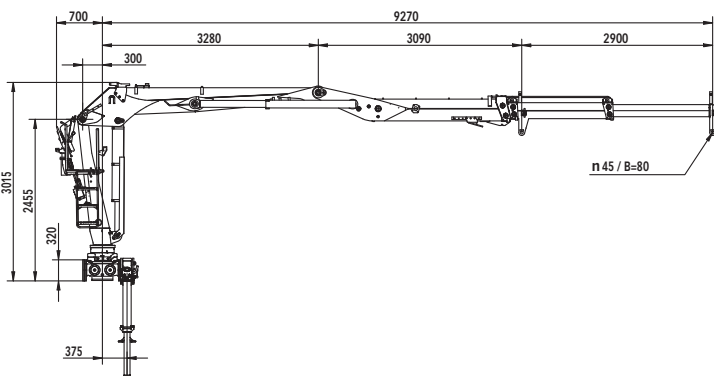
F165ZT93



F165Z80



F165ZT93



F165Z80

F165ZT93

