

Hiab Multilift

# XR Power range hooklifts

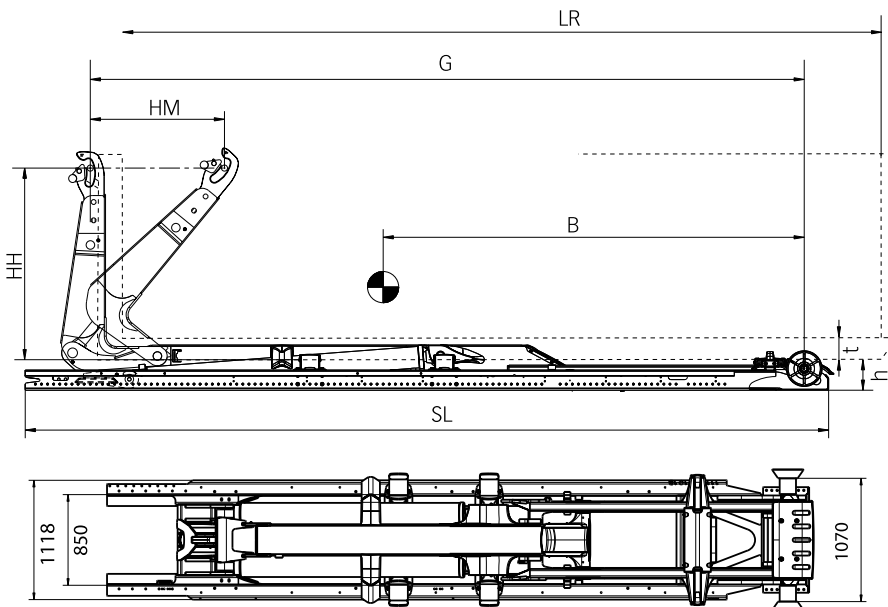


**TECHNICAL INFORMATION**

# XR26T

## TECHNICAL DATA

TYPE	XR26T			
VEHICLE TYPE	4 axle			
GVW OF THE VEHICLE (t)	32			
CAPACITY (t)	26			
G-LENGTH	51	55	59	61
SYSTEM WEIGHT (kg) *	2690	2760	2870	2900
TIPPING ANGLE (°)	49	49	52	49
MAX. OPERATING PRESSURE (MPa)	30			
RECOMMENDED MAX. OIL FLOW (l/min)	120 (special 150)			



\* Weight includes hydraulic body locking and excludes oil tank and oil

\*\* The subframe length (SL) can be reduced to achieve a final installation length. The minimum installation length depends upon country and control valve position. For an exact installation length dimension please contact your local Hiab Multilift dealer.

Hiab Multilift equipments meet the demands set forth in the EU Machine Directive and they are CE marked.

We reserve the rights for modifications. Illustrations do not always show an equipment in standard version.

## PRIMARY DIMENSIONS

MODEL	XR26T.51	XR26T.55	XR26T.59	XR26T.61
LR = BODY LENGTH (m) min - max	4,2 - 6,1	4,7 - 6,5	5,0 - 6,9	5,2 - 7,1
SL = SUBFRAME LENGTH (mm) **	5933	6583	6583	6783
B = CENTRE OF GRAVITY (mm)	2950	3250	3400	3550
G = EXACT G-LENGTH (mm)	5080	5480	5850	6080
HM = HORIZONTAL MOVEMENT (mm)	1100	1100	1100	1100
t = MIN. FREE TUNNEL HEIGHT (body) (mm)	125			
h = INSTALLATION HEIGHT (mm)	270			
HH = HOOK HEIGHT (mm) ***	1570			

*Cargotec improves the efficiency of cargo flows on land and at sea – wherever cargo is on the move. Cargotec's daughter brands Hiab, Kalmar and MacGregor are recognised leaders in cargo and load handling solutions around the world. Cargotec's global network is positioned close to customers and offers extensive services that ensure the continuous, reliable and sustainable performance of equipment. [www.cargotec.com](http://www.cargotec.com)*



**Cargotec Finland Oy**  
 Nesteentie 36, P.O.Box 39  
 FI-21201 Raisio, Finland  
 tel. +358 204 55 2399  
 fax +358 204 55 2231  
[www.hiab.com](http://www.hiab.com)