

# Hiab Multilift XR Low-built hooklift



Basic Data

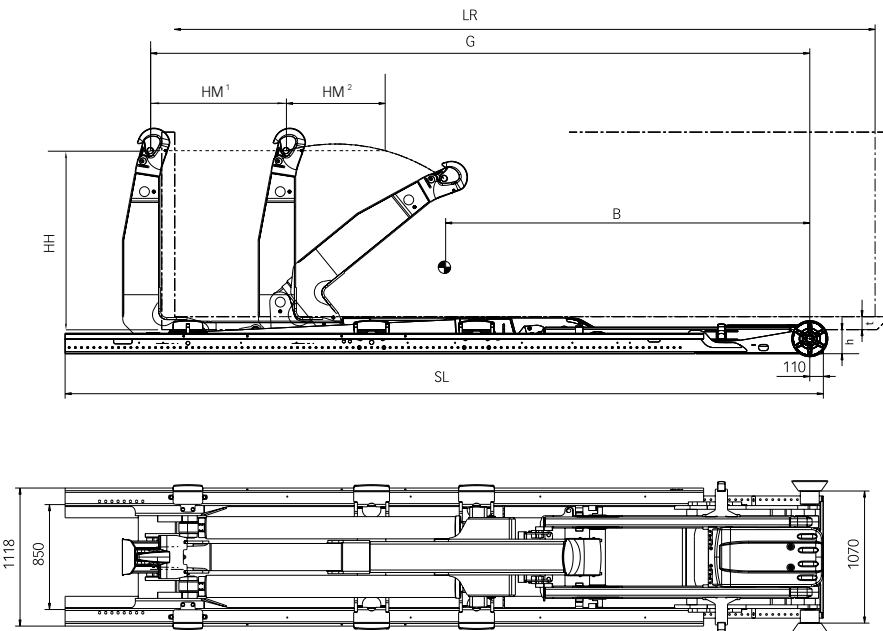
# XR20ZL

## Technical data

### Type

**XR20ZL**

Vehicle type	3 axle		
GVW of the vehicle (t)	26		
Capacity (t)	20		
G-length	53	56	59
System weight (kg) *	2580	2650	2690
Tipping angle (°)	55	52	52
Max. operating pressure (MPa)	30		
Recommended max. oil flow (l/min)	100		



\* Weight includes hydraulic body locking and excludes oil tank and oil.

\*\* The subframe length (SL) can be reduced to achieve a final installation length. The minimum installation length depends upon country and control valve position. For an exact installation length dimension please contact your local Hiab Multilift dealer.

\*\*\* Other hook heights for different body standards available.

Hiab Multilift equipments meet the demands set forth in the EU Machine Directive and they can be CE marked. We reserve the rights for modifications. Illustrations do not always show an equipment in standard version.

## Primary dimensions

### Model

**XR20ZL.53    XR20ZL.56    XR20ZL.59**

LR = Body length (m) (min – max)	3.8 - 6.4	4.0 - 6.6	4.5 - 7.0
SL = Subframe length (mm) **	6143	6443	6443
B = Centre of gravity (mm)	3220	3350	3450
G = Exact G-length (mm)	5380	5600	5900
HM = Horizontal movement (HH 1570 mm)	HM <sup>1</sup> 1100 + HM <sup>2</sup> 880		
t = Min free tunnel height (body) (mm)	105		
h = Installation height (mm)	195		
HH = Hook height (mm) ***	1570		

Hiab is the world's leading provider of on-road load handling equipment. Our high performance product range includes loader cranes, forestry and recycling cranes, demountables, truck-mounted forklifts and tail lifts. We aim to set the industry benchmark for customer satisfaction by providing products and services that meet customer needs globally. [www.hiab.com](http://www.hiab.com)  
Hiab is part of Cargotec. [www.cargotec.com](http://www.cargotec.com)