

# Hiab XS 077

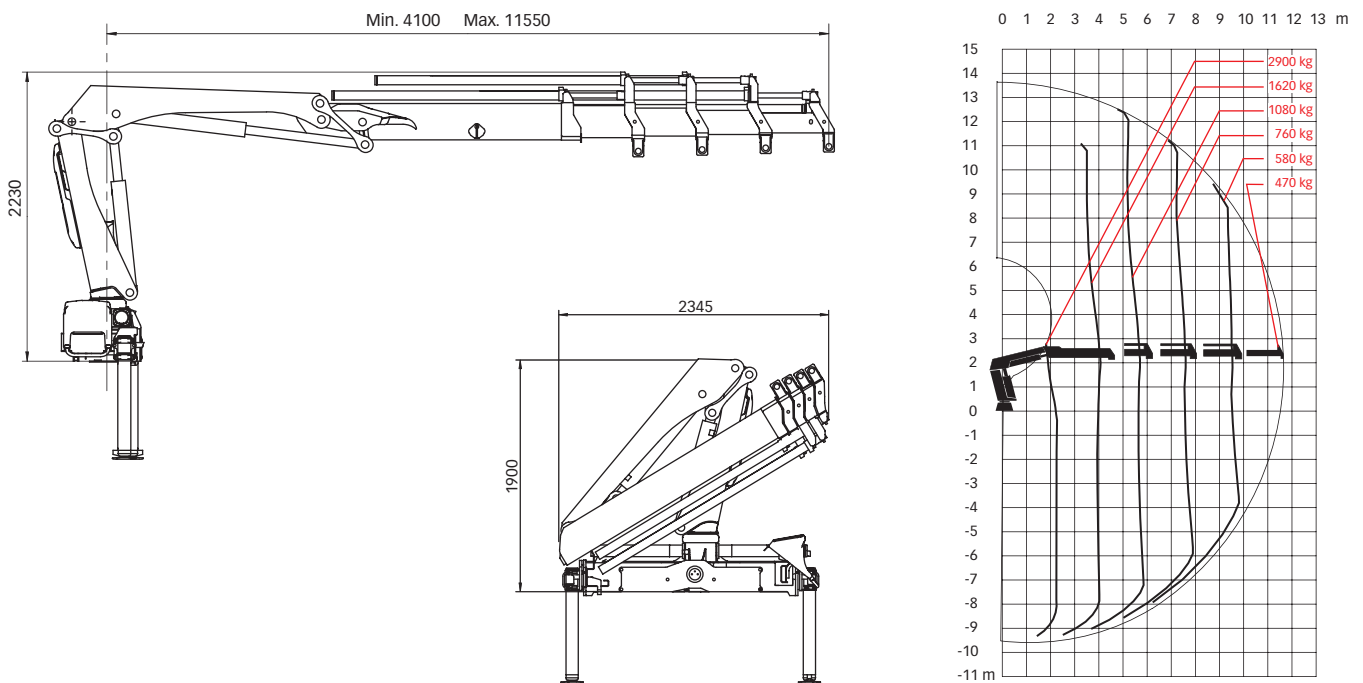
## Range 6–8 tm



# Hiab XS 077 Basic data

Technical data	B-3 CL	E-2 Duo	B-2 HiDuo	E-4 HiDuo
Max. lifting capacity (kNm)	58	60	65	60
Outreach, hydraulic extensions (m)	9.6	7.4	7.6	11.6
Outreach, manual extensions (m)	11.7	11.6	11.7	-
Outreach / lifting capacity (m / kg)	2.9 / 2050 3.8 / 1500 5.4 / 1020 7.3 / 740 9.2 / 580	2.0 / 3100 3.9 / 1700 5.5 / 1180 7.4 / 860 -	2.8 / 2600 3.8 / 1900 5.4 / 1320 7.2 / 980 -	2.2 / 2900 4.1 / 1620 5.7 / 1080 7.6 / 760 9.5 / 580
Slewing angle (°)	400 - 406	400 - 406	400 - 406	400 - 406
Height in folded position (mm)	1900	1915	1900	1915
Width in folded position (mm)	2240	2190	2190	2345
Installation space needed (mm)	745	720	685	720
Weight, "standard" crane without stabilizers (kg)	1060	970	970	1140
Weight, stabilizer equipment (kg)	140 - 275	140 - 275	140 - 275	140 - 275

## Hiab XS 077 E-4 HiDuo



**Disclaimer** Hiab cranes have been built to meet the highest standards of safety and service life and have been thoroughly tested. Strength calculations for this model have been carried out in accordance with EN13001 in fatigue class S2. Cargotec's certified Quality Assurance System complies with ISO 9001. Some of the items in our literature may be extra equipment. Certain applications may require an official permit. We reserve the right to change technical specifications without prior notice. Hiab cranes produced for EU-countries are CE-marked and comply with the European Standard EN 12999.

**Cargotec** improves the efficiency of cargo flows on land and at sea - wherever cargo is on the move. Cargotec's daughter brands, Hiab, Kalmar and MacGregor are recognised leaders in cargo and load handling solutions around the world. Cargotec's global network is positioned close to customers and offers extensive services that ensure the continuous, reliable and sustainable performance of equipment. [www.cargotec.com](http://www.cargotec.com)